

Model A Light Bulbs

By Steve Pargeter, Ridgefield, Washington


The Model A Ford employs three separate series of light bulbs. The headlight bulb is a 1000 series; the parking, dome, tail, and instrument lights are 63 series, while the stop light is 1129 series. Lamps are called 'miniature lamps' if their operating voltage is less than 30. Clearly our Model A 6V lamps meet that criteria and are called miniature lamps without regard to their physical dimension.

Bulbs are classified by their unique characteristics to include filament voltage, filament style, base design, glass bulb shape and the bulb's projected service life. Each of these parameters is defined in American National Standard Institute (ANSI) and International Electrotechnical Commission (IEC) definitions. The following characteristics are normally listed for these bulbs:

- Bulb Base Design (e.g., BA15d)
- Socket Design (e.g., DB-BA15D which matches the base design)
- Glass Bulb Style (e.g., RP11)
- Filament Design (e.g., C-2V/C-2V)
- Nominal Voltage (e.g., 6.4 volts)
- Nominal Wattage (e.g., 24/24 watts)
- Nominal Amperage (e.g., 3.87/3.87 amps)
- Physical Dimensions (e.g., 2.25" tall by 1.25" wide)
- Projected Service Life (e.g., 125/125 hours)

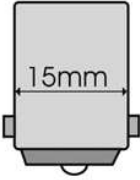
The light bulb number is even for double filament bulbs (e.g. 1000) and odd for single filament bulbs (e.g. 63). The letter "L" after a number indicates it is a long life bulb. A candlepower rating is considered an obsolete term and is no longer provided. Bulbs with double filaments use either straight across locating pins on the side of the base, if both filaments are identical or offset pins if the filaments have different outputs. The designation for the base, BA15d means double filament while BA15s indicates a single filament. Characteristics for each of the three Model A bulbs are shown.

63




6 volt, 0.63 amps
4.4 watts 1000 hour life

Bulb Base




15mm



Ba15s*

Ba = Bayonet Mount, 15 = 15mm Diameter and small "s" indicates single contact

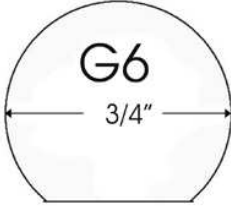
Filament



C2R

C = Coiled, R = Round

Bulb Shape



G6

3/4"

G = Globe, 6 = 1/8"x6=3/4"



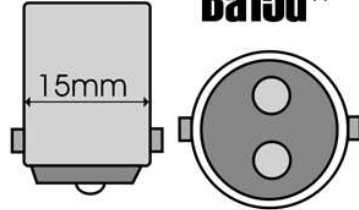
Charateristics	1000 – Headlamp	1129 – Stoplight	63 – Multi-use
Base Design	BA15d	BA15s	BA15s
Filament Design	C-2V/C-2V	C6	C2R
Bulb Shape	RP11	S8	G6
Voltage	6 volts	6 volts	6 volts
Amperage	3.87/3.87 amps	2.63 amps	0.63 amps
Watt	24/24 watts	16.8 watts	4.4 watts
Service	125/125 hours	200 hours	1000 hours

1000 Headlamp

6 volt, 3.87/3.87 amps,
24/24 watts, 125/125 hour life



Bulb Base

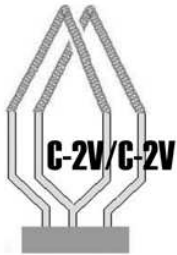


Ba15d*

Double Contact Candelabra Bayonet

*Ba = Bayonet Mount, 15 = 15mm diameter and small "d" indicated double contacts

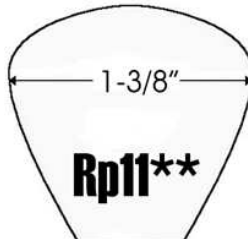
Filament Shape



C-2V/C-2V

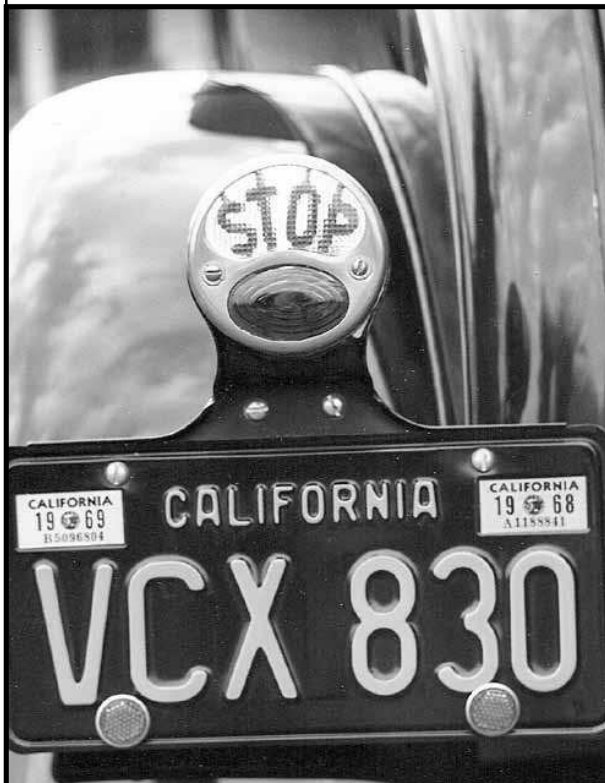
C = Coiled V = V Shape

Bulb Shape



Rp11**

**Rp = Round Pear shape
11 = 1/8" X 11 = 1 3/8" diameter

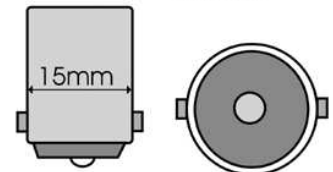


1129

6 volt, 2.63 amps
16.8 watts, 200 hour life



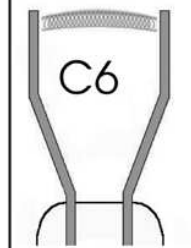
Bulb Base



Ba15s*

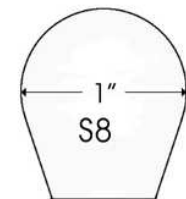
Ba = Bayonet Mount, 15 = 15mm Diameter and small "s" indicates single contact

Filament



C6

Bulb Shape



S8

S = Straight Sides
8 = 8 * 1/8" = 1" diameter